

- LG40-YPOC Finish(CC)
- LG40-YPOK Finish(KK)
- LG40-YPOU Finish(UU)
- LG40-YPOY Finish(YY)

Specifications

- Pforever Seal
- Waterfall Trough Spout

Features

- 1.2 GPM Flow Rate
- Waterfall Trough Spout
- Grid Strainer without Overflow Available, Order 972-103 (Sold Separately)
- Grid Strainer with Overflow Available, Order 972-104 (Sold Separately)
- Single-Post Mounting
- Pforever Seal Ceramic Disc Valve
- Pforever Warranty®

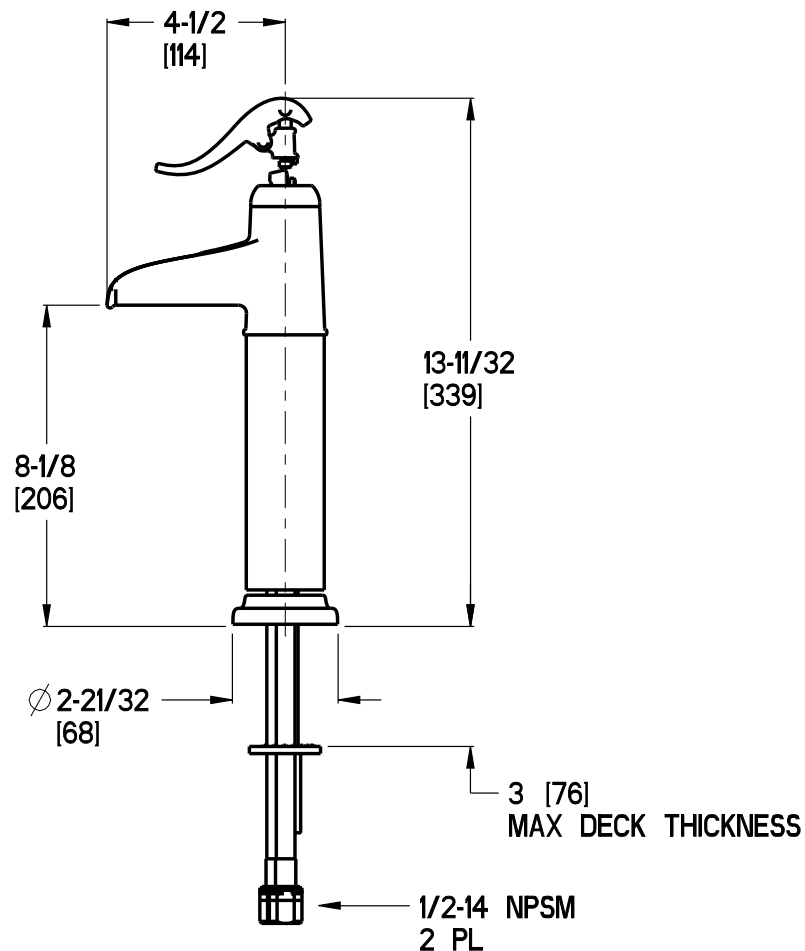
Code Compliance

Pfister products are designed and manufactured in compliance with the following standards and codes:

- IAPMO Certified
- CSA B125 Certified
- ASME A112.18.1
- NSF 61/9 Annex G (Low lead)
- Cal Green Compliant
- CEC Compliant
- EPA WaterSense Certification 1.2 gpm, 4.5 L/Min
- ADA Compliant-ANSI A117.1 (Lever handles only)



Dimensions



∅1 Min to ∅1-1/2 Max. Deck Hole Openings